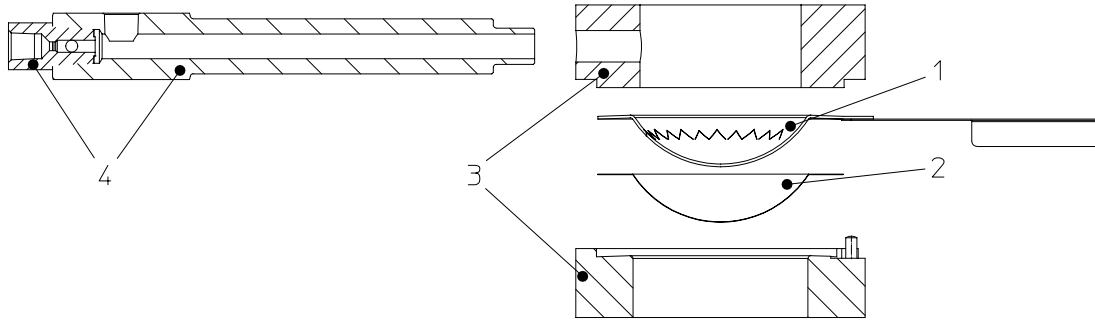


Bursting disc

BT-KUB® reverse acting rupture disc

Page 2

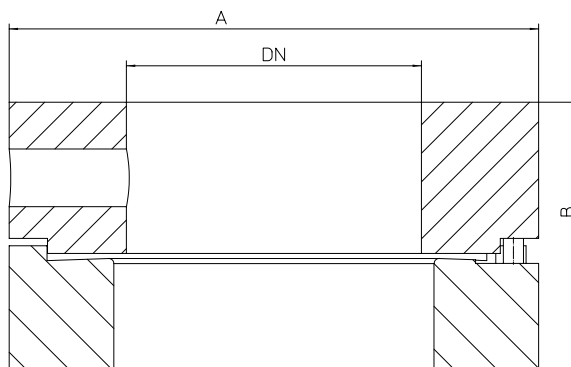


BT-KUB® reverse acting buckling pin rupture disc


Parts			
Pos.	Sp.p.	Description	Material
1	x	Rupture disc	X5CrNiMo17-12-2, 1.4401, X2CrNiMo17-12-2, 1.4404
2		Typ BT-KUB	
3		Holder Typ IG-KUB®	X6CrNiMoTi17-12-2, 1.4571
4	x	Tell tale assembly G 1/4"	X2CrNiMo17-12-2, 1.4404, X6CrNiMoTi17-12-2, 1.4571
L Spare parts			

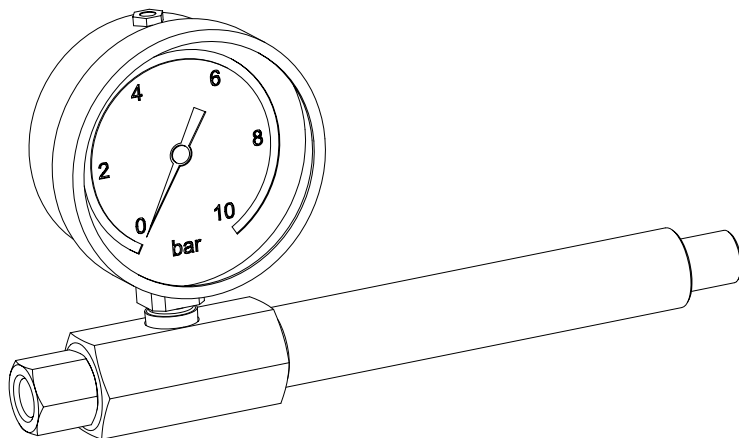
Technical data													
DN		20	25	32	40	50	65	80	100	125	150	200	250
Set pressure range at 22°C	min. bar	3,2	2,0	2,5	1,5	1,0	1,0	0,50	0,40	0,40	0,30	0,30	0,30
	max. bar	130	150	100	140	120	100	95	80	60	45	35	25
Vent Area*	cm ²	3,4	5,5	9,5	13	22	35	50	80	120	180	280	440

*Vent Area acc. to DGRL, MNFA (ASME Sec. VIII, Div. 1) may vary.
 Other sizes, pressure classes, temperatures, materials and connections on request.

Rupture disc holder BT-KUB®

Technical data

DN		20	25		32	40	50		65		80		100	
Nominal pressure	PN	10/16/ 25/40	10/16/ 25/40	64(63)/ 100	10/16/ 25/40	10/16/ 25/40	10/16	25/40	10/16	25/40	10/16	25/40	10/16	25/40
A	mm	61	71	82	82	92	105	105	127	127	142	142	162	167
B	mm	41	46	46	46	46	57	57	57	57	60	60	68	68
Number of flanges studs / bolts	n	4	4	4	4	4	4	4	8 (4)	8	8	8	8	8
Recommended flange studs / bolts		M12	M12	M16	M16	M16	M16	M16	M16	M16	M16	M16	M16	M20

DN		125		150		200				250			
Nominal pressure	PN	10/16	25/40	10/16	25/40	10	16	25	40	10	16	25	40
A	mm	192	194	217	223	272	272	283	290	328	328	340	352
B	mm	68	68	80	80	84	84	84	84	91	91	91	91
Number of flanges studs / bolts	n	8	8	8	8	8	12	12	12	12	12	12	12
Recommended flange studs / bolts		M16	M24	M20	M24	M20	M20	M24	M27	M20	M24	M27	M30

Accessories


Tell tale assembly G 1/4"
 (the manometer is not included in the scope of supply)

To ARI-Armaturen to the att. of Mrs./Mr. Fax No. +49 52 07 / 994 -

If the type of bursting disc is not yet determined, we are offering our assistance for sizing.
Please send us the questionnaire containing the appropriate data.

Customer:
.....
Handled by:
Date:

Telephone:
Fax:
E-mail:

Necessary data

Medium:
 liquid gas

Temperature: °C

Safety valve

Type / Figure:	Set pressure: bar(g)
Nominal diameter: (Input / Output)	DN /	Flow diameter d_0 : mm
Nominal pressure: (Input / Output)	PN /	Flow cross-section A_0 : mm ²
		Certified coefficient of discharge Kdr (α_w):

Rupture disc

Bursting pressure: bar(g)	Material:	<input type="checkbox"/> 1.4401
(Bursting pressure = Set pressure of the safety valve)			<input type="checkbox"/> Nickel
Tolerance:	<input type="checkbox"/> + 10%		<input type="checkbox"/> Inconel
	<input type="checkbox"/>%		<input type="checkbox"/> Monel
Quantity: piece		<input type="checkbox"/> Aluminium
(incl. reserve)	(minimum 3 pieces recommended)		<input type="checkbox"/> Teflon foil medium side
TÜV-approval:	<input type="checkbox"/> yes <input type="checkbox"/> no		<input type="checkbox"/> other

Holder (incl. 1/4"-vent)

Nominal pressure:	PN	Material:	<input type="checkbox"/> 1.4571
Quantity (Holder): piece		<input type="checkbox"/> other

Indication device

(Pressure gauge / excess flow valve)

Quantity: piece

Burst disc alarm

Quantity: piece

Bursting disc selection

Construction

Reverse buckling bursting disc
 other

Manufacturer / Type:

Nominal size selection of the bursting disc

• Acc. to DIN EN ISO 4126-3 and API 520 „90%-determination“

Example:

Max. capacity SAFE 900, DN 50, 10 bar without bursting disc = 9610 Nm³/h
Max. capacity SAFE 900, DN 50, 10 bar with bursting disc = 0,9 x 9610 Nm³/h = 8649 Nm³/h

• Acc. to AD2000-A1 (5.4.2.2)

$$A_{geom} \times \alpha > 1,5 \times A_0 \times \alpha_w$$

DN

Remark:



Technology for the Future.
GERMAN QUALITY VALVES

ARI-Armaturen Albert Richter GmbH & Co. KG, D-33750 Schloß Holte-Stukenbrock,
Tel. +49 52 07 / 994-0, Telefax +49 52 07 / 994-158 or 159 Internet: <http://www.ari-armaturen.com> E-mail: info.vertrieb@ari-armaturen.com