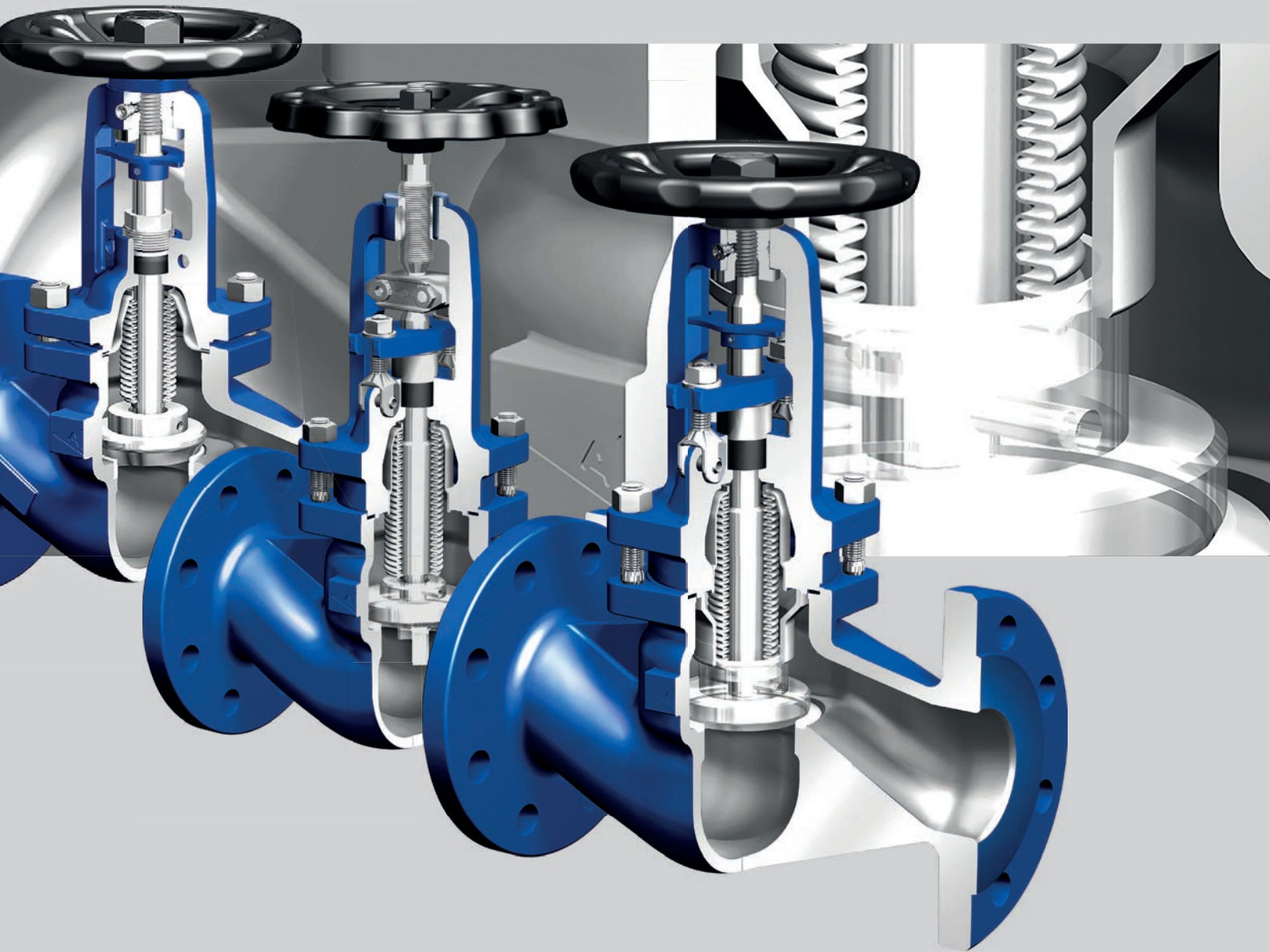


# FABA®

## THE BELLOWS SEALED VALVE

EXTRA-TIGHT SHUT-OFF DUE TO “CUT-OFF EFFECT” – (LINE CONTACT SEALING)

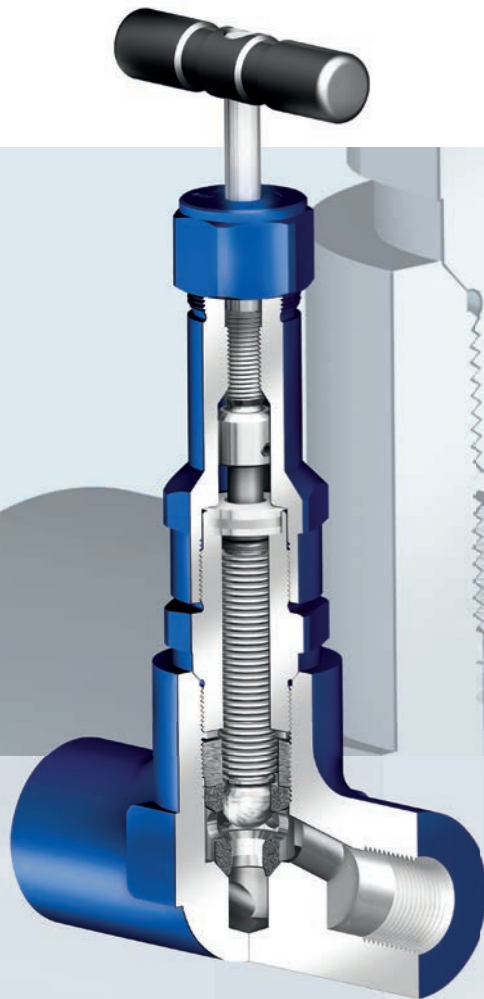


Your valve made by ARI®  
[ari-armaturen.com](http://ari-armaturen.com)

# BELLOWS SEALED VALVE 6A2

## FABA® PLUS

## FABA® SUPRA PN 63 – 160



### The compact alternative ...

- Compact design for optimal handling.
- Extra-tight shut-off due to the bellows seal.
- Tight inner seal due to spherical plug.

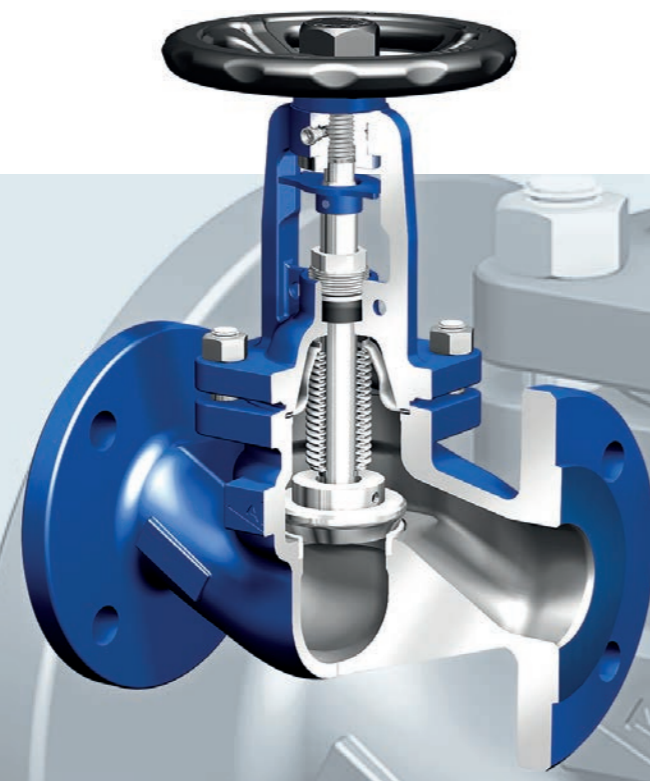
**Design:** DIN EN

**Materials:** forged steel, stainless steel

**Nominal diameter:** DN 15 – 25, NPS 1/2" – 1"

**Nominal pressure:** PN 40

**Connection types:** Flanges, screwed sockets, socket weld ends, butt weld ends



### Profit from the proven power of our 100% tight shut-off technology! For all standard applications

#### Even greater performance ...

- ... due to the bonnet design (now even more suitable for harsh industrial environments, i.e. water hammer, due to more robust design).
- ... due to the reinforced bellows welded to the stem rather than to the plug (vibration is no longer transferred directly from the plug to the bellows).

#### Ease of use ...

- ... due to ergonomic handheel with environmentally friendly, corrosion-resistant cathodic coating.
- ... due to the reduction in weight (optimised bonnet design).
- ... due to the recessed lubricating nipple and the separate, flat locking device.
- ... due to the easy-to-install limit switch – no need to loosen the bonnet screws (patented).

#### Even greater versatility ...

- ... due to the dual function (can be used simultaneously as a check valve and stop valve with a tight shut-off feature due to the screw-down non-return plug) – now suitable for horizontal or vertical installation owing to the resetting spring.

Offered in a straight-through, angle pattern or Y-pattern design with butt weld, screwed socket or ASME/ANSI connections.

**Design:** DIN EN, ASME/ANSI

**Materials:** Cast iron, SG iron, steel, forged steel, stainless steel, ASME materials

**Nominal diameter:** DN 15 – 400

**Nominal pressure:** PN 16 – 40; ANSI 150 and 300

**Connection types:** Flanges, butt weld ends, socket weld ends, screwed sockets

### Reliable sealing ...

- ... due to "cut effect" (line contact sealing of the conical plug on the seat ring).
- ... due to metal plug / seat design (hardness gradient: hardened stainless steel plug, harder than the seat ring).
- ... due to increased seat pressure (longer service life).
- ... due to the fine-threaded stem (increased seat pressure).
- Tested tightness: Final test with air for all valves (leakage rate "A" according to DIN EN 12266 or 1 according to DIN 3230).
- Tested tightness: Helium test guarantees that no leakage can occur through the bellows.

### For use in medium-pressure systems up to 160 bar!

#### Even safer to use ...

- ... due to the balancing plug (optional from DN 65).
- ... due to the additional limit switch (optionally 1 or 2).

#### Reliably tight – even in harsh industrial environments ...

- ... due to conical plug with cut effect (line contact sealing).
- ... due to the serrated seal.
- ... due to the gland packing and gland seal stuffing box.
- ... due to the stellited seat and plug (ideal hardness gradient: Stellite 21 / Stellite 6).



New from ARI®!

**Design:** DIN EN

**Materials:** Cast steel, forged steel, heat resistant steel

**Nominal diameter:** DN 10 – 100

**Nominal pressure:** PN 63 – 160

**Connection types:** Flanges, butt weld ends



"Cut effect" (line contact sealing) – due to conical plug and marginal seat (high tightness).



Bonnet design – even more resistant to water hammer.



Dual function – can be used simultaneously as a check and stop valve with a tight shut-off feature due to the screw-down non-return plug with resetting spring.



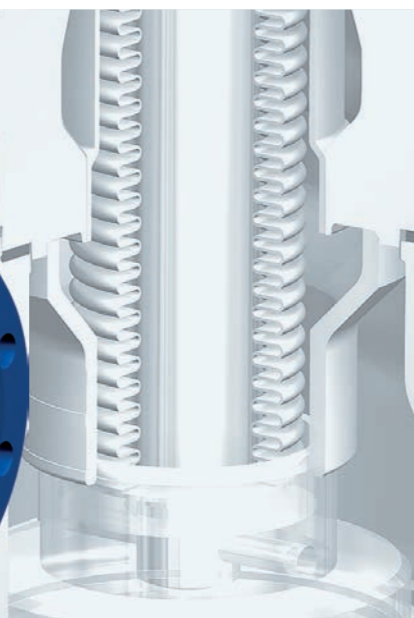
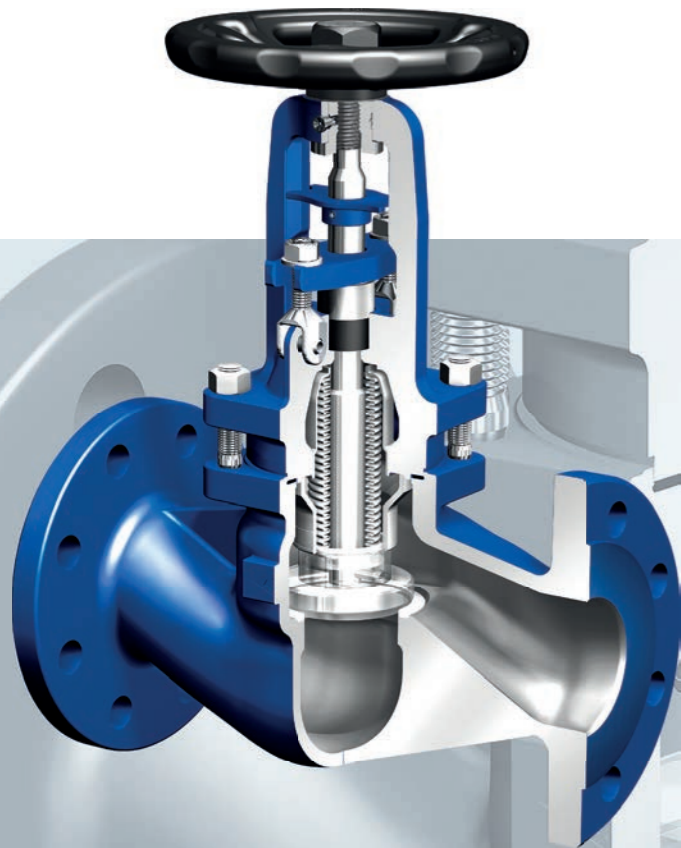
Reliably tight due to conical plug with cut effect (line contact sealing).



Durable – extra-long, modified, pressure resistant bellows design (positioned outside the medium).



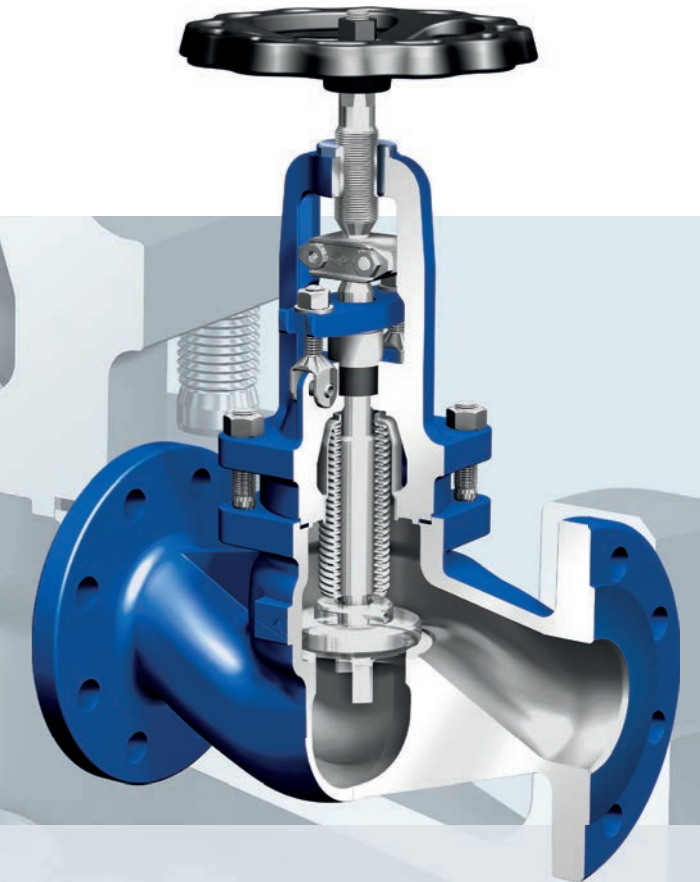
Optimal force transfer owing to the fine-threaded stem.



### Reliable sealing ...

- ... due to "cut effect" (line contact sealing of the conical plug on the seat ring).
- ... due to metal plug / seat design (hardness gradient: hardened stainless steel plug, harder than the seat ring).
- ... due to increased seat pressure (longer service life).

- ... due to the fine-threaded stem (increased seat pressure).
- Tested tightness: Final test with air for all valves (leakage rate "A" according to DIN EN 12266 or 1 according to DIN 3230).
- Tested tightness: Helium test guarantees that no leakage can occur through the bellows.



## Profit from the proven power of our 100% tight shut-off technology! For all industrial applications

### Additional features. Even more reliable ...

- ... due to the reinforced bellows (10,000 double cycles) – welded to the top part of the body.
- ... due to the increased resistance to water hammer (bellows protected by cover).
- ... due to the rugged plug / stem guide (permits higher differential pressures).

### Reliably tight – even in harsh industrial environments ...

- ... due to the double-wall bellows seal.
- ... due to the welded seat.
- ... due to the secondary seals (back sealing on bellows cover and emergency stuffing box seal to atmosphere with gland follower).
- ... due to the option of welding the top part of the body to the bottom part (optionally).

### Even greater flexibility ...

- ... due to the option of a one or two-piece (couple-divided) stem (for example, for retrofitting with an actuator).

Offered in a straight-through, angle pattern or Y-pattern design with butt weld, screwed socket or ASME/ANSI connections.

**Design:** DIN EN, ASME/ANSI

**Materials:** Cast steel, forged steel, stainless steel, ASME materials

**Nominal diameter:** DN 15 – 400

**Nominal pressure:** PN 16 – 40; ANSI 150 and 300

**Connection types:** Flanges, butt weld ends, socket weld ends, screwed sockets

## For the chemical industry

### Additional features compared to FABA® Supra i Even more reliable ...

- ... due to the reinforced – and medium-flushed – bellows that is welded to the top part of the body (10,000 double cycles). Suitable for process applications.
- ... due to the additional stem guide via the V-port plug (permits higher differential pressures).

**Design:** DIN EN, ASME/ANSI

**Materials:** Cast steel, forged steel, stainless steel, ASME materials

**Nominal diameter:** DN 15 – 400

**Nominal pressure:** PN 16 – 40; ANSI 150 and 300

**Connection types:** Flanges, butt weld ends, socket weld ends, screwed sockets



Reinforced bellows (10,000 double cycles) – welded to the top part of the body.



Bellows cover – for increased resistance to water hammer.



Rugged plug / stem guide – permits higher differential pressures.



Bellows – flushed by the medium (also suitable for process applications).

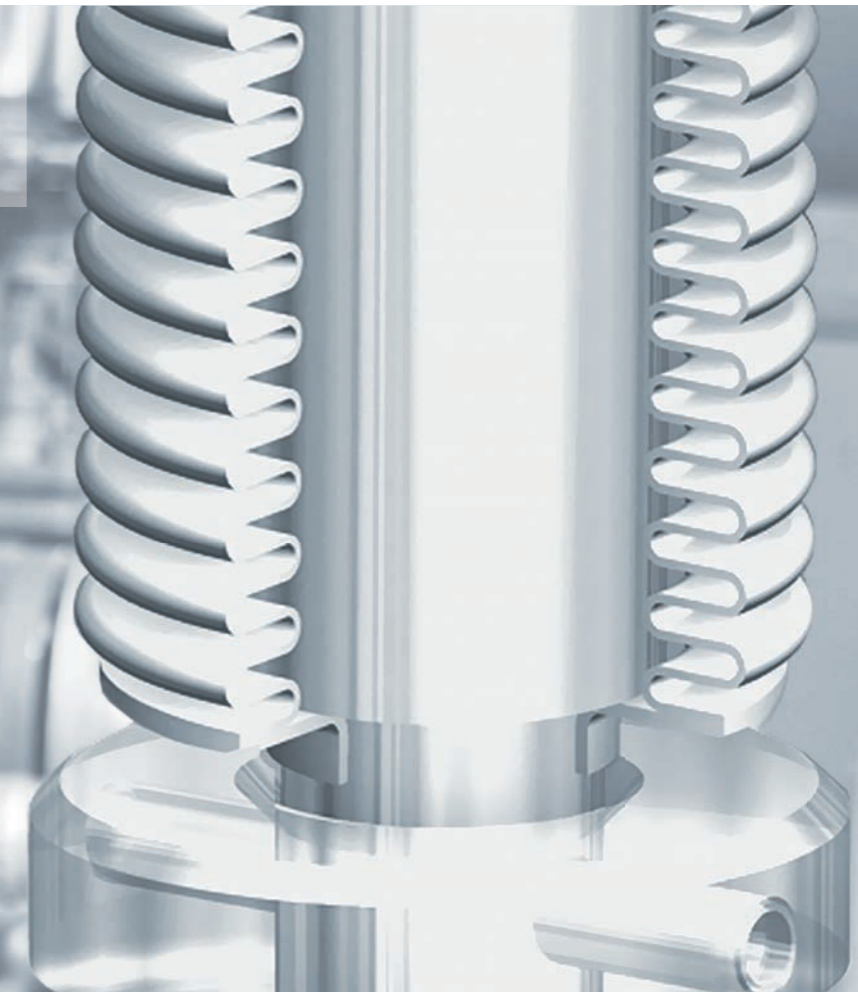
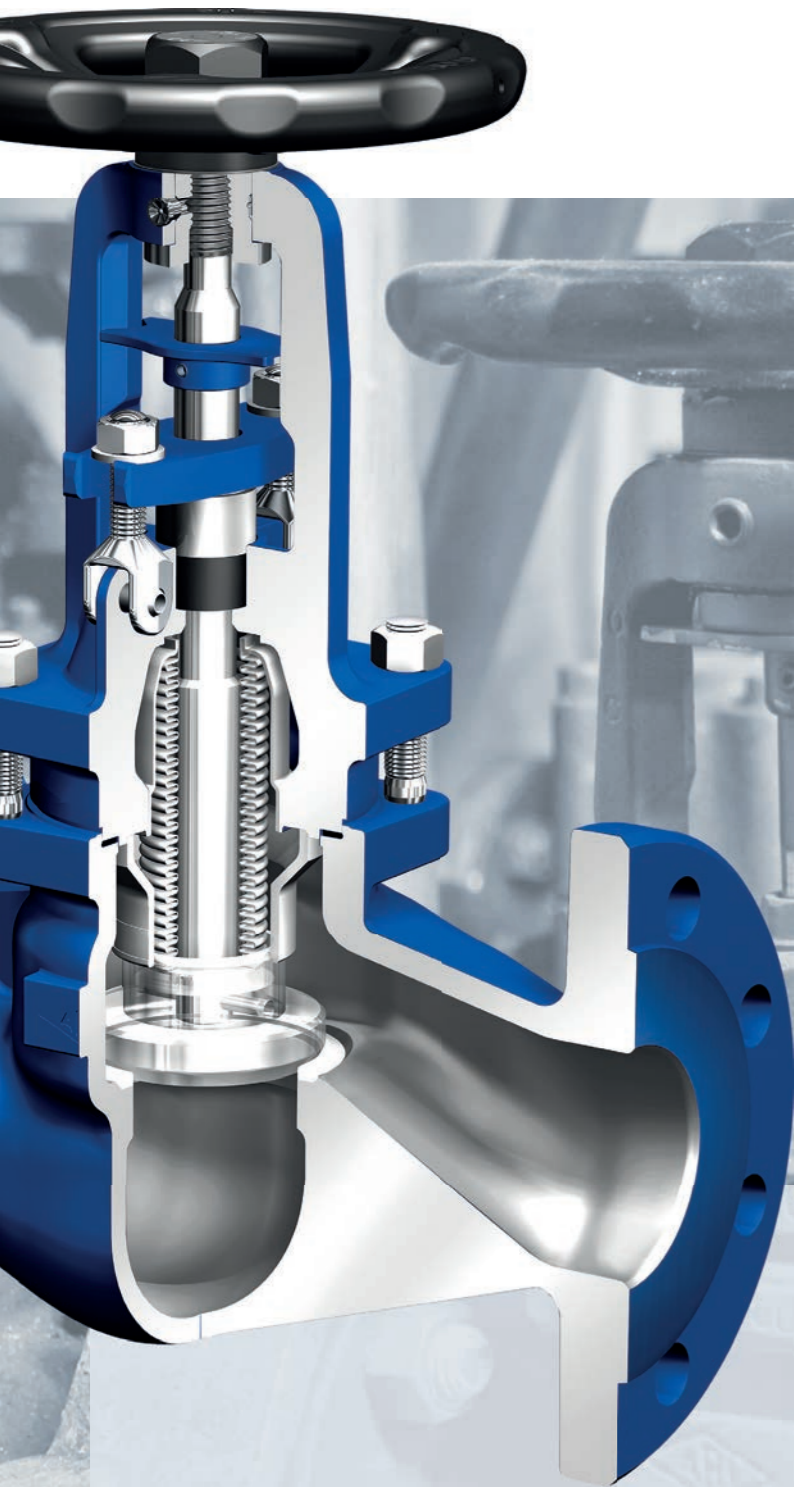


Reinforced bellows (10,000 double cycles) – welded to the top part of the body.



Additional stem guide via the V-port plug (permits higher differential pressures).

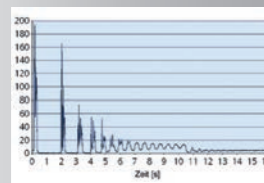
# FABA®-TIGHT WITH CERTIFIED, MULTIPLY BELLOWS!



- FABA®-tight due to rigorous testing of PN 40 compressive strength up to 200 bar at the Fraunhofer-Institute in Oberhausen (FABA® Supra C).
- FABA®-tight due to seamless automatic weld between the bellows and stem.
- FABA®-tight due to helium leak testing (tested tightness).
- FABA®-tight due to bellows welded to the top part of the body (FABA® Supra i and FABA® Supra C).
- Durable and reliable due to bellows protection from water hammer (FABA® Supra i).
- Durable and reliable due to bellows welded to the stem as standard rather than to the plug (all FABA® types).

- Durable and reliable due to bellows positioning outside the medium (FABA® Supra PN 63 – 160).
- Durable due to option of cleaning medium-flushed bellows in chemical applications (FABA® Supra C).
- Durable due to the slim bellows design. Vibration is reduced to a minimum, protecting the bellows against turbulences.

- Durable due to the long, modified, pressure resistant bellows design (FABA® Supra PN 63 – 160).
- Durable due to bellows reinforcement for up to 10,000 double cycles (FABA® Supra and FABA® Supra PN 63 – 160).
- Certified safety – approved acc. to DIN EN ISO 15848-1 / TA-Luft.
- Tailored to individual requirements – wide choice of FABA® variants.



Test documentation at the Fraunhofer-Institute up to 200 bar, water hammer as a function of time.



Rigorous test conditions on the Fraunhofer-Institute's experimental facility.



Bellows cover – for increased resistance to water hammer.

# ARI® PRODUCT DIVERSITY

## Control



**Control valves**  
STEVI® Pro  
(BR 422/462, 470/471)



STEVI® Vario  
(BR 448/449)



STEVI® Smart (BR 423/463,  
425/426, 440/441, 450/451)



**Control without auxiliary power**  
PREDU®/PREDEX®/  
PRESO®/TEMPROL®

## Isolation



**Process Valves**  
ZETRIX®  
**High Performance-Valves**  
ZEDOX®



**Butterfly valves**  
ZESA®/GESA®/ZIVA®



**Bellows sealed valves**  
FABA® Plus, FABA® Supra I/C



**Stop valves with gland seal**  
STOBU®

## Safety



**Safety valves (DIN)**  
SAFE



**Safety valves**  
SAFE TCP



**Safety valves (API 526)**  
REYCO®



**Safety valves (ANSI)**  
REYCO® RL-Series

## Steam trapping



**Steam traps CONA®**  
(mechanical ball float /  
thermostatic bimetallic and  
membrane / thermodynamic),  
**monitoring systems**  
CONA® Control



**Manifolds**  
CODI® for collecting  
and diverting purpose



**Steam traps with multi-  
valving technology CONA®**  
"All-in-One" (incl. stop valve,  
inside strainer, back-flow  
protection, drain valve)

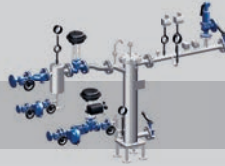


**Mechanical pump systems**  
CONALIFT®, CONA® P

## Application technology



**Pressure reducing station**  
PREsys®



**Heat exchanger**  
ENCOsys®



**Condensate return system**  
CORsys®



**Feedwater tank  
with deaerator dome**

**Profit from diversity made by ARI®.**  
**Please don't hesitate to ask for more information!**



Your valve made by ARI®  
ari-armaturen.com