

YOUR STRONG PARTNER FOR INDUSTRIAL VALVES



Your valve made by ARI®
ari-armaturen.com

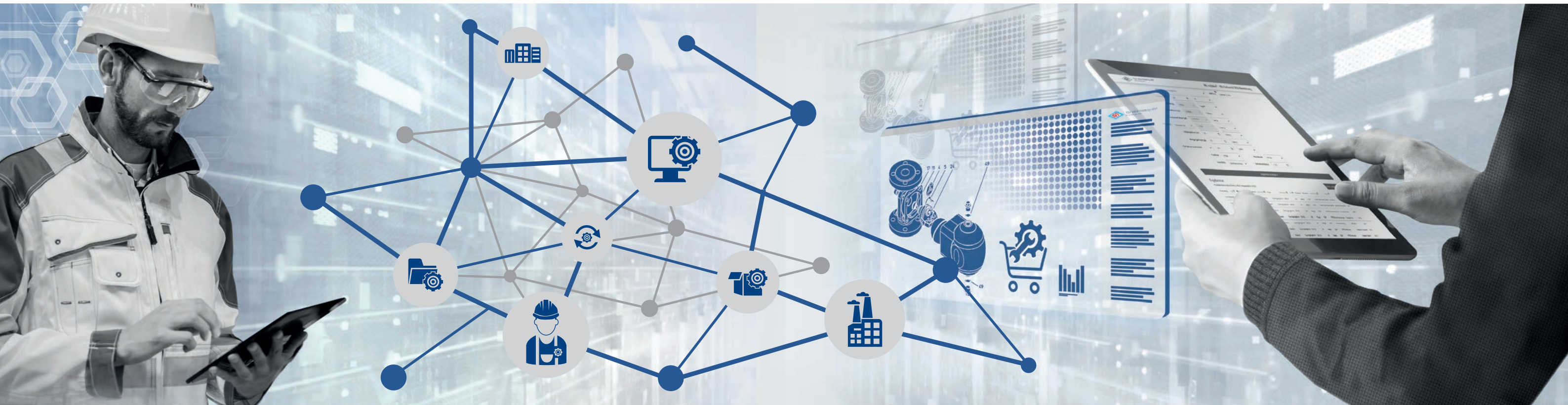
ARI DIGITAL SERVICES

myARI – Your Service and Information Portal

myValve® – Your Valve Sizing Program, Now Also Available Online

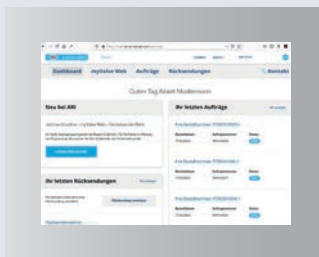
myPREMIO – The New App For Your Electronic Actuators

ARI-ID – Digital Product Information



myARI – Your Information Portal

The new myARI portal is a modern service and information channel which you can access 24/7 regardless of whether or not we can be reached in person. It provides a quick, easy and convenient way to check your order or delivery status at any time of the day or night. You can additionally use myARI to notify us of repairs, returns or complaints.



The myARI portal is a modern service and information channel.

myValve® Now Available Online

By registering in the portal myARI you also have access to the online version of myValve®, the ARI valve sizing program. All calculations can now be performed without installing the software. A few simple steps are all you need to register in the portal myARI and take advantage of the services and information on offer there or use myValve online. The scope of services is constantly being expanded.



With myARI, you can see all shipments at a glance at any time.



Quick and easy sizing of your valves with the online version of myValve®.



Characteristics and pressure / temperature diagrams of your online data.

myPREMIO – Your Actuator App

The optional BT interface allows this app to communicate with PREMIO®-Plus 2G actuators. Profit from the new app's exciting functionality:

- Control: Use the app to control a selected actuator.
- Diagnostics: Display status information, statistics, event logs, trends and histograms or configure additional functions.
- Data exchange: Exchange diagnostic data with the ARI customer service for even more efficient support



myPREMIO app for control, diagnostics and data exchange with your PREMIO actuator.

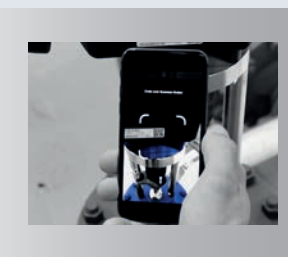


You can find the download link and installation instructions for the app at www.ari-armaturen.com/service/download/mypremio/

ARI-ID – Product Information

The ARI-ID is an integral part of each ARI valve. The ARI-ID is a globally unique code that enables every ARI valve to be clearly identified.

- Your time saving: On-site scanning of the ARI-ID with a mobile device
- Your convenience: All product information and spare parts at a glance
- Your security: Secure check-out process in ARI logistics

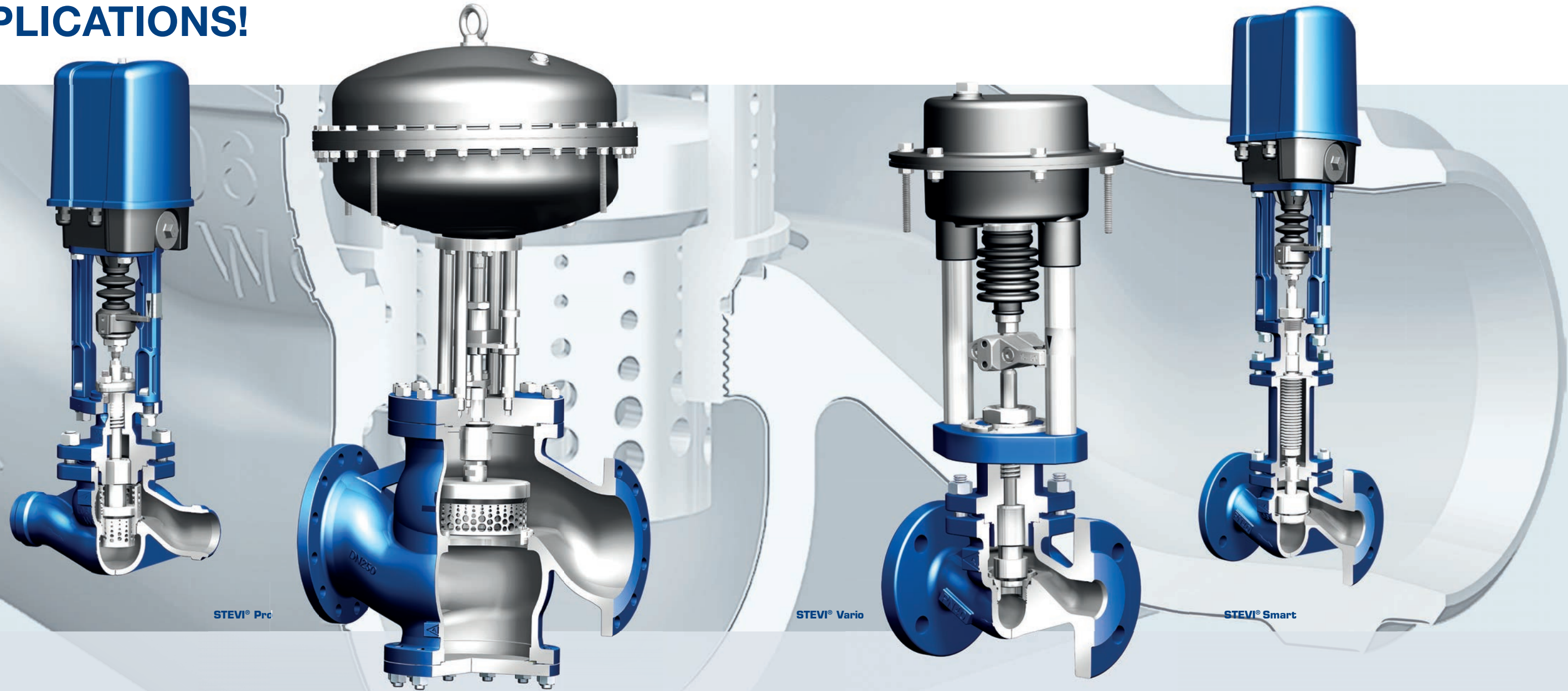


The ARI-ID – Quick access to all digital, product-specific information directly on the name plate.



The ARI-ID leads you to the "ARI-ID" website, which provides extensive information e.g. regarding our ZETRIX® process valve as well as its spare parts.

Control YOUR FLEXIBLE CONTROL PORTFOLIO FOR INDUSTRIAL APPLICATIONS!



STEVI® Pro

STEVI® Vario

STEVI® Smart



STEVI® Pro
The high-performance control valve



STEVI® Pro
Stainless steel type with bellows



STEVI® Vario
The variable, compact control valve



STEVI® Smart
The classic standard valve



STEVI® Smart
3-way valve



STEVI® 405/460
Automated stop valve

STEVI® Pro

- Wide range of applications due to a variety of possible variations
- Good flow characteristic quality due to flow-optimized body
- High stability due to reinforced plug guiding

STEVI® Vario

- Variable application possibilities due to compact dimensions and rotatable actuator
- Individual possibilities thanks to variable trims
- Vibration-free operation by shaft-guided plug

STEVI® Smart

- Interesting cost – performance ratio
- Ideal for non-critical applications such as two- and three-way variant with bellows for heat transfer oil applications
- Flexible possibilities of use thanks to a wide range of actuators

Plug design: Parabolic / perforated / pressure balanced / V-port / soft sealing

Nominal diameter: DN 15 – 500

Pressure: PN 16 – 40, Class ANSI 150 or 300

Actuators: Electric or pneumatic

Body material: Cast iron, SG iron, cast steel, stainless steel (1.4408 or 1.4581), ASME materials, etc.

Flow media: Brine, warm water, hot water, refrigerants, vapours, gases, heat transfer oil, etc.

Control Without Auxiliary Power

ECONOMICAL, RELIABLE AND SELF-ACTING



PREDU® Pressure reducing valve
PREDEX® Pressure regulator valve
PRESO® Pressure regulating valve, globe
PRESO® Pressure regulating valve, Y-pattern
TEMPTROL® Temperature controller, heating
TEMPTROL® Temperature controller, cooling
TEMPTROL® Temperature controller, mixing

■ **PREDU®** Pressure reducing valve

Valve closes as the **downstream** pressure rises.
 Diaphragm control. High performance
Material: Cast iron, SG iron, cast steel, stainless steel
Pressure: PN 16 – 40, Class ANSI 150 or 300
Type of connection: Flange
Nominal diameter: DN 15 – 150

■ **PREDEX®** Pressure regulating controller

Valve opens as the **upstream** pressure rises.
 Diaphragm control. High performance
Material: Cast iron, SG iron, cast steel, stainless steel
Pressure: PN 16 – 40, Class ANSI 150 or 300
Type of connection: Flange
Nominal diameter: DN 15 – 150

■ **PRESO®** Pressure regulating valve

Valve opens as the differential pressure rises. Direct control.
 The economical alternative – for low capacities.
Material: Cast iron, SG iron, cast steel, stainless steel
Pressure: PN 16
Design: Straight-through, Y-pattern
Nominal diameter: DN 15 – 100

■ **TEMPTROL®** Mechanical temperature controller

Valve opens or closes as the temperature rises. Exact and easy adjustment. Can also be supplied as a 3-way mixing / diverting valve.
Material: Cast iron, red brass, SG iron, cast steel, stainless steel
Pressure: PN 16 – 40
Type of connection: Flange, screwed socket
Nominal diameter: DN 15 – 100

Isolation

PROFIT FROM THE PROVEN POWER OF OUR 100% TIGHT SHUT-OFF TECHNOLOGY!



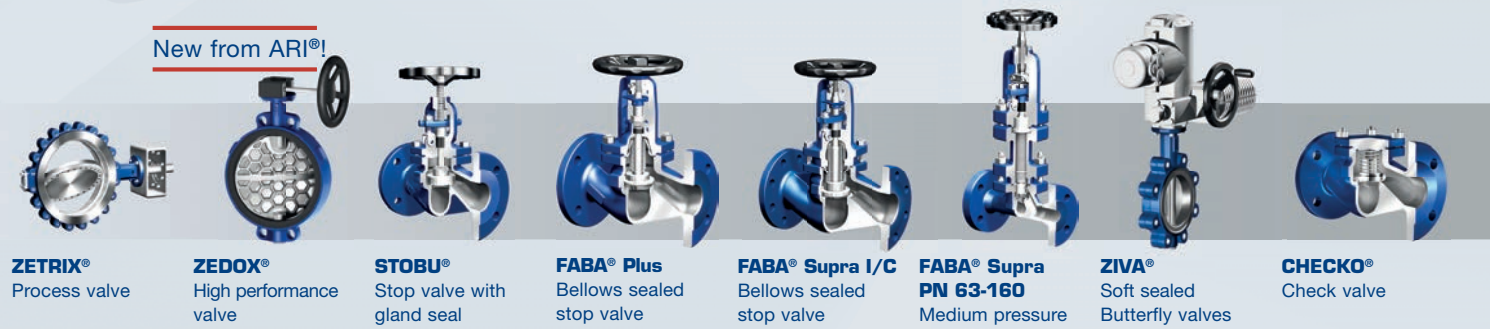
ZETRIX®

ZEDOX®

FABA® Plus

STOBU® PN 63 - 160

New from ARI®!



ZETRIX® Process valve
ZEDOX® High performance valve
STOBU® Stop valve with gland seal
FABA® Plus Bellows sealed stop valve
FABA® Supra I/C Bellows sealed stop valve
FABA® Supra PN 63-160 Medium pressure
ZIVA® Soft sealed Butterfly valves
CHECKO® Check valve

■ **ZETRIX® Triple offset process valve with metal seal**
Material: Cast steel, stainless steel, High temperature cast steel, ASME materials
Pressure: PN 10 – 40, PN 63, PN 100, ANSI Class 150, 300 or 600
Type of connection: Double flange, lug type, butt-weld ends
Nominal diameter: DN 80 – 1400 / 3" to 56"
Actuators: Pneumatic, electric or hydraulic

■ **ZEDOX® Double offset, high performance valve with metal seal**
Material: Cast steel, stainless steel
Pressure: PN 10-40, ANSI Class 150
Type of connection: Double flange, lug type, butt-weld ends, wafer type
Nominal diameter: DN 80-1600 / 3" to 64"
Actuators: Pneumatic, electric or hydraulic

FABA® Stop valve with metal seal and bellows sealed stem
Material: Cast iron, SG iron, cast steel, forged steel, stainless steel, heat resistant steel
Pressure: PN 16 – 40, ANSI Class 150 or 300
Type of connection: Flange, butt-weld ends, socket weld ends, screwed socket
Nominal diameter: DN 15 – 400
Actuators: Pneumatic

■ **STOBU® Stop valve with metal seal and gland sealed stem (pure graphite)**
Material: Cast iron, SG iron, cast steel, forged steel, stainless steel, heat resistant steel
Pressure: PN 16 – 160
Type of connection: Flange, butt-weld ends
Nominal diameter: DN 10 – 500
Actuators: Electric or pneumatic for PN 63 – 160 pressure

Safety

VARIABLE AND SAFE IN MORE THAN 35,000 VARIANTS!

CE Certified acc. to EN ISO 4126-1 (PED 2014/68 EU)

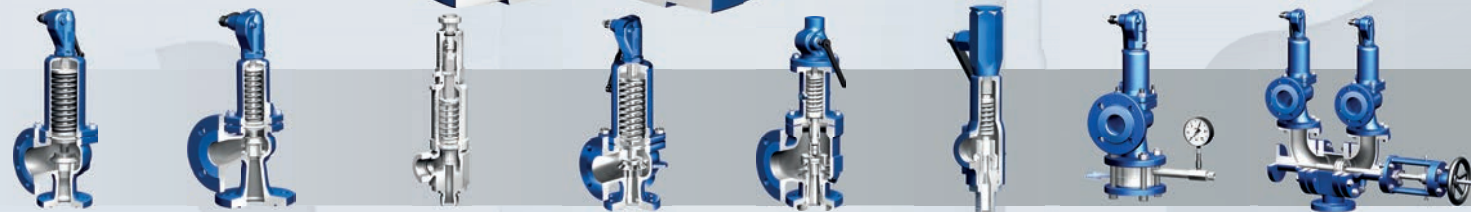
UV Certified acc. to ASME Code with UV Stamp

SAFE

SAFE P

REYCO® R

REYCO® RL



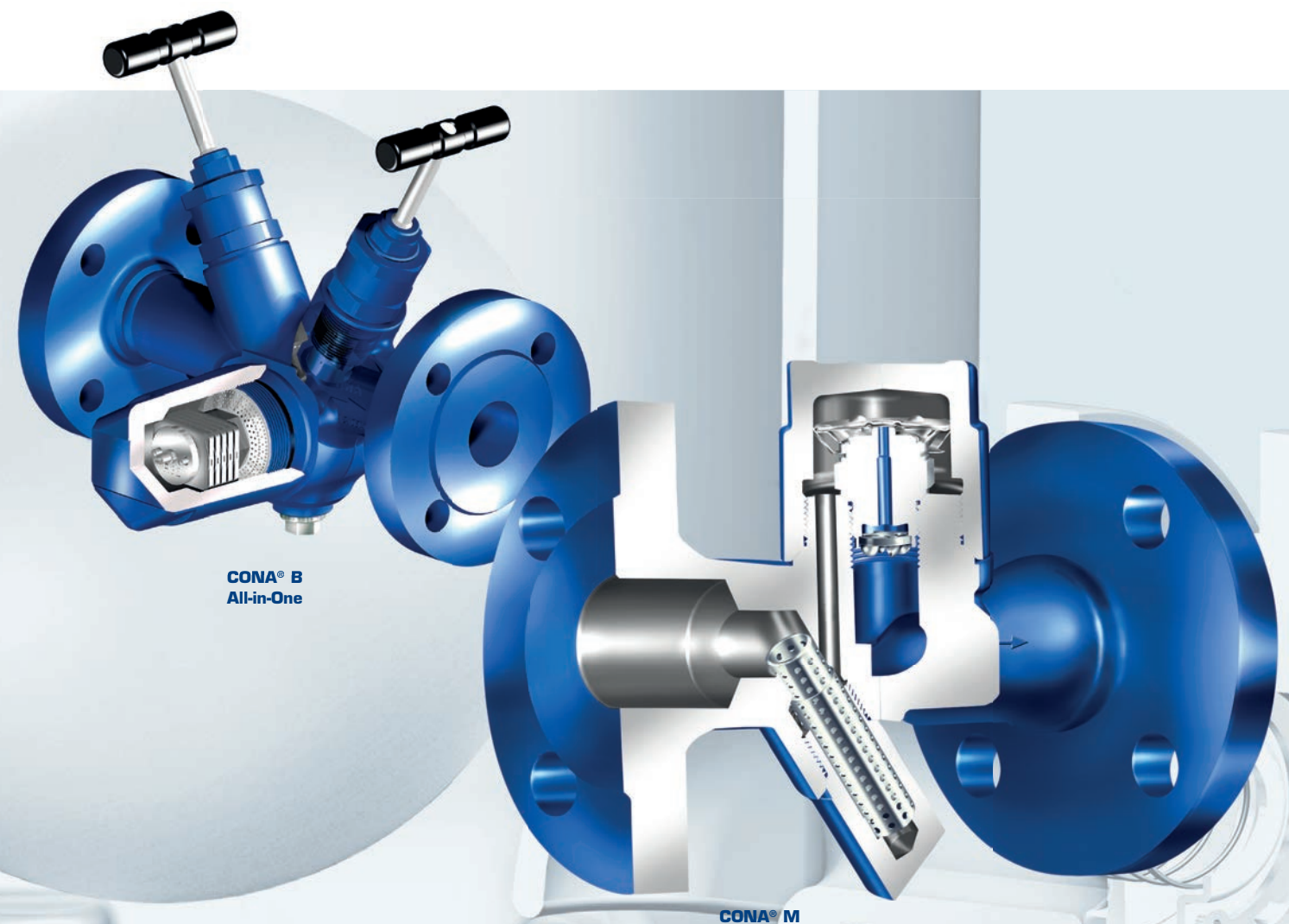
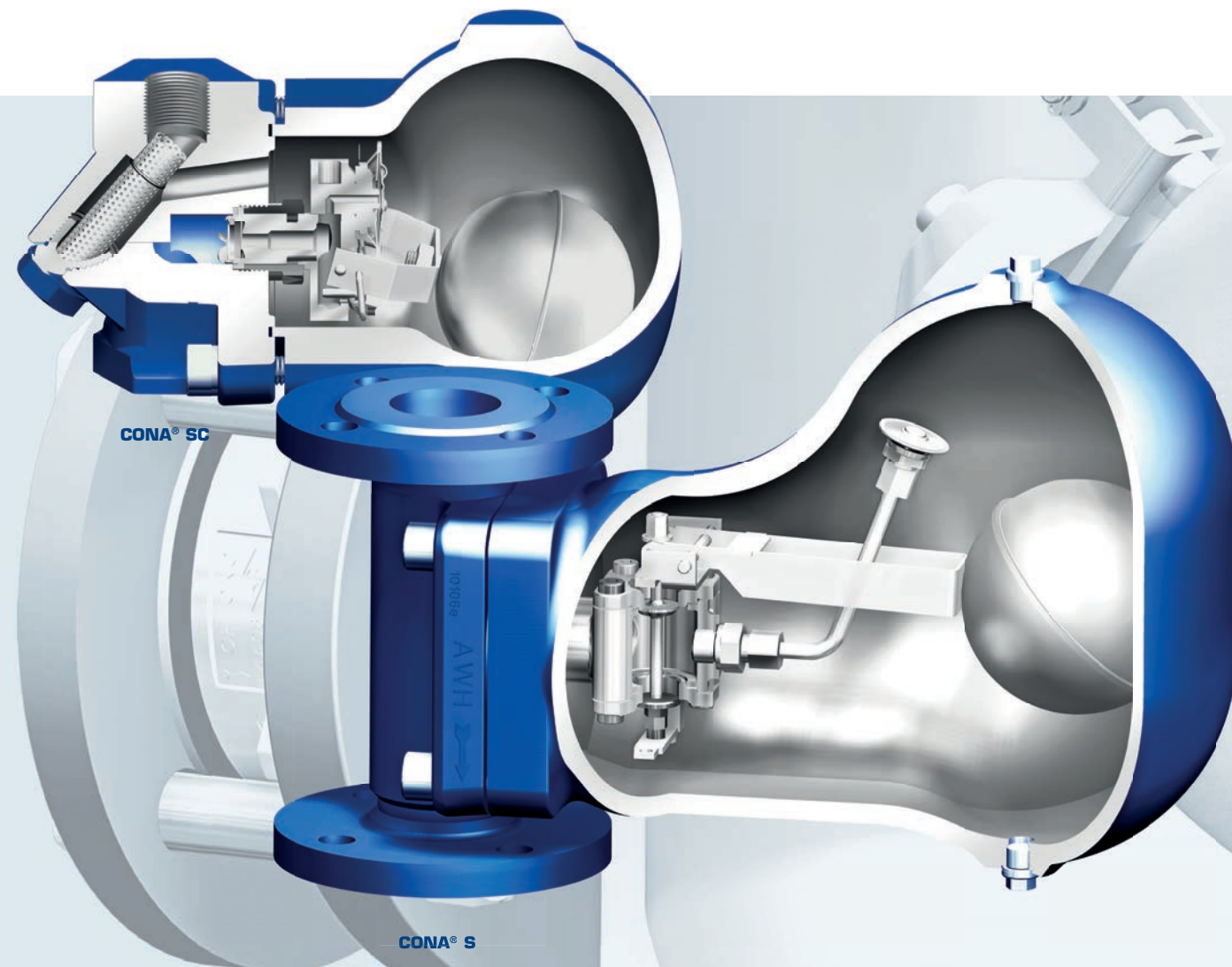
SAFE Full-lift safety valve
SAFE P For small capacities
SAFE TCP / TCS For high pressures up to PN 100
SAFE SN ANSI Semi-Nozzle
REYCO® R ASME Sec. VIII, API 526 Full Nozzle
REYCO® RL ASME Sec. VIII, thread
SAFE Combi-R Rupture disc
SAFE Combi-C Changeover valve

- **Designs:** Closed bonnet, open bonnet, with / without lifting mechanism (gas-tight)
- **Features:** EPDM bellows seal, stainless steel bellows seal, soft sealing plug, SHR soft seal, rupture disc, changeover valve
- **Applications:** Relieving vapour, gas, liquid or steam pressure from pressure vessels and steam boilers
- Even more efficient thanks to the new **SAFE-Check** service for testing installed safety valves (patent-pending device that works without increasing the boiler pressure or interrupting plant operation; no media loss)
- Zero leakage in combination with the innovative SHR premium soft seal. Now for steam and hot water up to +220 °C!

Nominal diameter: DN 15 – 250, NPS ½" – 10"
Pressure: PN 16 – 100, ANSI Class 150 – 2500
Set pressure: 0.2 bar to 100 bar, 5 psi to 6000 psi
Material: Cast iron, SG iron, cast steel, stainless steel, ASME materials
Special materials: Monel, Duplex, Super Duplex and Hastelloy on request

Steam Trapping

ENERGY SAVINGS ENABLE MORE EFFICIENCY



CONA® S Ball float steam trap
CONA® All-in-One Compact steam trapping station with multi-valving technology
CONA® B Bimetallic steam trap
CONA® M Thermostatic steam trap
CONA® TD Thermodynamic steam trap
CODI® Condensate collection and steam distribution
CONA® Control Monitoring system for steam traps
CONA® P Pump trap
CONLIFT® Mechanical condensate pump

■ **CONA® S/-SC Ball float steam trap**

Drainage of water from heat exchangers, prevents condensate from backing up

■ **CONA® B Bimetallic steam trap**

Drainage of water from steam systems – the option of selective condensate sub-cooling results in high energy efficiency and reduces flashing due to condensate backing up to a minimum!

■ **CONA® M Thermostatic steam trap**

Optional drainage of water from steam systems – selective condensate sub-cooling results in high energy efficiency and reduces flashing due to condensate backing up to a minimum!

■ **CONA® TD Thermodynamic steam trap**

Small, practical, user friendly, separate controller unit and heat chamber can be replaced on site

■ **CONA® All-in-One Compact steam trapping station with multi-valving technology!**

Integrated system comprised of a steam trap, stop valve, strainer, check valve and drain valve!

■ **CODI® Collector / Distributor**

Manifold for collecting and distributing condensate, steam and liquids

■ **CONA® P Pump trap**

Continuous control of steam users without problems under negative pressure conditions. Operates as a normal ball float steam trap if the pressure difference is positive.

Nominal diameter: DN 15 – 100

Pressure: PN 16 – 630, ANSI Class 150 – 2500

Material: Cast iron, SG iron, forged steel, cast steel, heat resistant steel, stainless steel, ASME materials

Engineered Systems

COMPETENCE FOR THERMAL PROCESSES



ENCOsys®

- Heat exchanger systems with a capacity of up to 20,000 kW
- Shell-and-tube heat exchangers with a compact, maintenance-free design
- Very precise control and rapid response to load changes
- High energy efficiency

PREsys®

- Pressure reducing station, self-acting or electropneumatic control
- Reliable process because all components are exactly matched
- Dry, clean process steam, optionally with a separator
- Redundant or single bypass

CORsys® E

- Condensate recovery and return station for recovery and return of accruing condensate, which is then reused
- Reliable process because all components are exactly matched
- Protection against running dry and overflow
- Redundant design (two pumps)

CORsys® M

- Compact condensate recovery and return station with mechanical condensate pump for condensate return
- Compact design
- Suitable for ATEX applications
- No power supply required

Pneumatic and Electric ARI-Actuators

VARIABLE, SMART ACTUATOR TECHNOLOGY



PREMIO®



PREMIO® Plus 2G



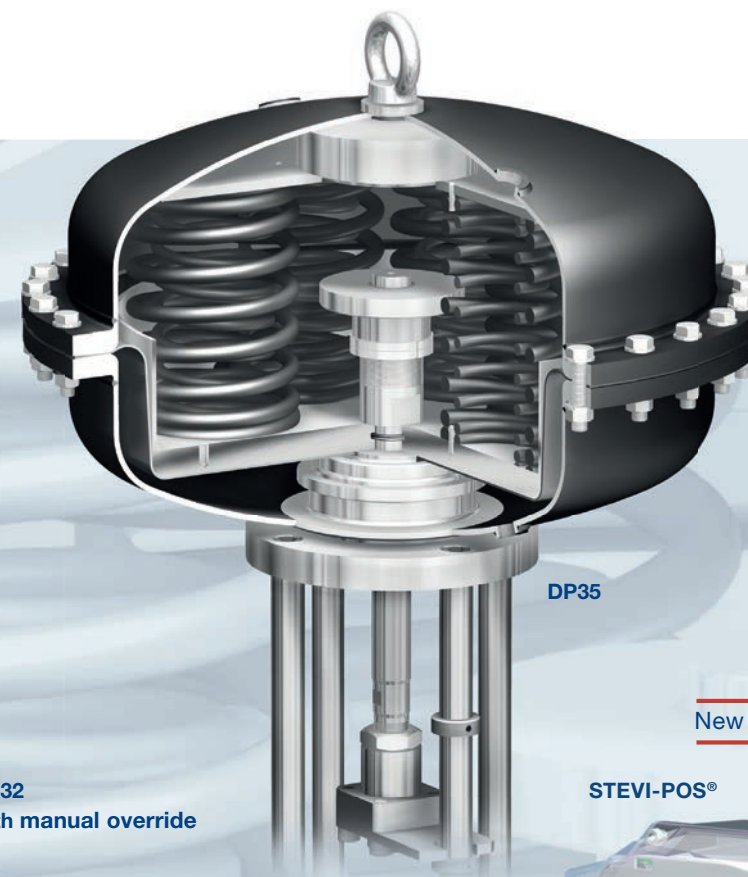
PREMIO® Plus 2G – optionally also with LED status display



The myPREMIO app for control, diagnosis and data exchange with the PREMIO®-Plus 2G



DP32 with manual override



DP35

New from ARI®!

STEVI-POS®



Electric ARI actuators PREMIO® and PREMIO® Plus 2G

- Optimal safety and reliability: high operating temperature protection in duty types S3 80 % ED/max. 1200 c/h (+70 °C) acc. to EN 60034-1
- High performance: optimised gear transmission and improved load cut-off
- BLDC motor: significantly reduced power consumption, exceptionally smooth and quiet running due to circular rotating field, high duty classification (ED) even at high actuating forces because self-heating of the motor is restricted to a minimum
- Variable control speeds
- **Actuating force:** 2.2 kN, 5 kN, 12 kN, 15 kN, 25 kN
- **Permissible ambient temperature:** -20 °C to +70 °C
- Compatible with a wide voltage range from 110 to 240 V AC 50/60 Hz)

Added value with PREMIO® Plus 2G:

- Self-initialisation feature
- User friendly operator panel for individual settings
- Positioner: Freely selectable analogue control signal (0 to 10 V or 4 to 20 mA)
- Economy Function for even better durability with more efficient, low-wear conversion of control signals
- Variable speed control for extended gear lifetime
- High durability and precision because small positional deviations are approached at low speed
- Optional: Version with fail-safe function
- Optional Communication package for using the App myPREMIO

Pneumatic ARI-Actuators DP

- High performance: broad spring rangeability (higher closing forces)
- Practical: reversible operating direction
- Economical: favourable size / performance ratio
- Variable: wide range of accessories (positioners, solenoid valves, limit switches, etc.)

Nominal diameter: Diaphragm area 80 – 2800 cm²

Actuating force: 490 – 83,000 N

Max. permitted air supply pressure: 6 bar

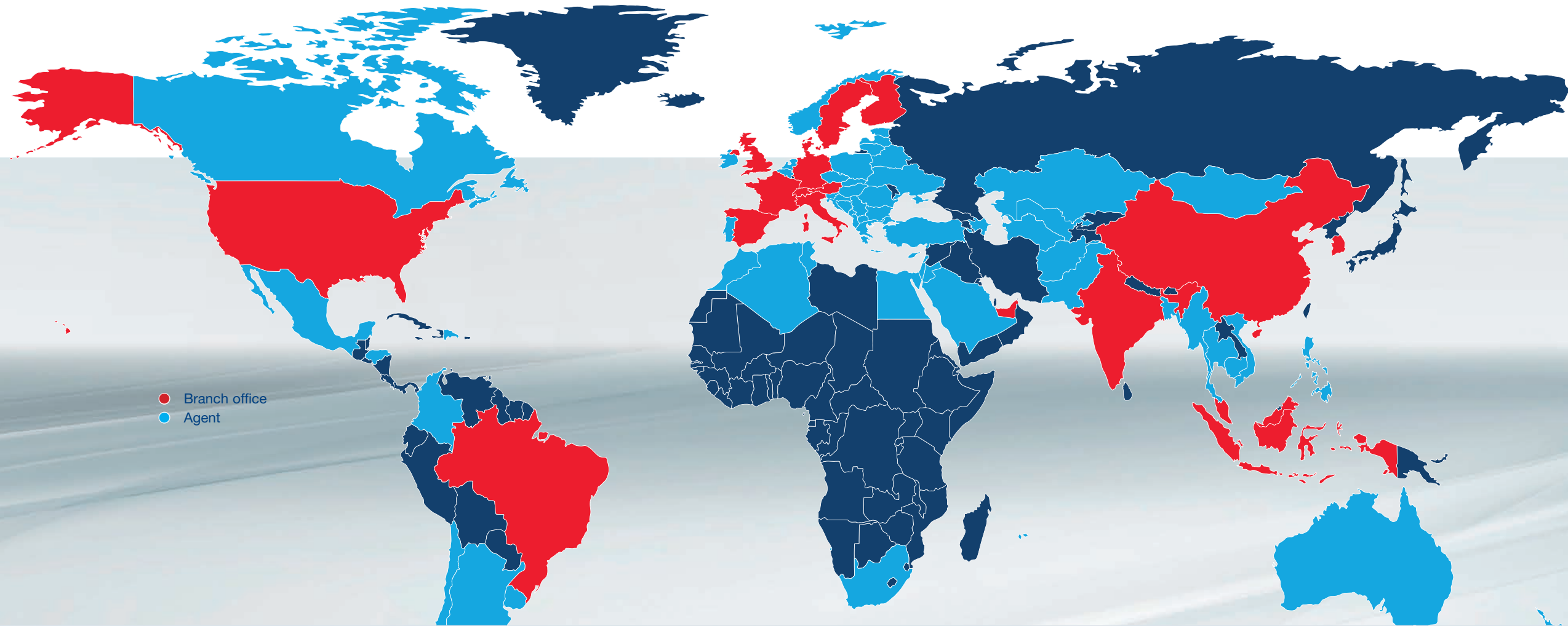
Operating modes: Spring closes / air supply pressure loses body seat

STEVI-POS® digital electro-pneumatic positioner

- 4-20 mA input signal
- 2-wire technology
- Quick commissioning
- Easy operation
- Low air consumption
- Optional: 2 pressure gauges
4-20 mA feedback

FOR CONTROL – ISOLATION – SAFETY – STEAM TRAPPING – ENGINEERED SYSTEMS

Your strong partner – in more than 60 countries worldwide



We Love Technology

Highly qualified engineers develop the products of the future using the latest methods. Already in the selection of our suppliers we set the highest quality standards and thus guarantee already with the materials used a high level of quality. The same applies to our production technologies, which are always one step ahead thanks to our many years of know-how and thus leave no room for error.

Your Local Partner – Worldwide!

Our broad-based sales team is your competent local partner. With sales partners in more than 60 countries worldwide and our own subsidiaries in Austria, Switzerland, Denmark, Great Britain, France, Spain, Italy, Finland, Sweden, the USA, Brazil, India, China, Malaysia, Indonesia, Singapore, South Korea and Dubai, we are always available for you. A powerful partner!

Customized Product Solutions

20,000 products in more than 200,000 variants offer you almost unlimited possibilities depending on the area of application and thus individual product solutions made to measure. Control valves, pressure reducers, overflow regulators, self-operated temperature regulators, butterfly valves, shut-off valves, safety valves, steam traps, measuring technologies and systems such as pressure reducing stations, heat exchangers and condensate

recovery and lifting systems. In this way, we guarantee you maximum flexibility - whatever the application.

Quality is our Claim

As a developer, manufacturer and distributor of valves, actuators and engineered systems, we are certified according to DIN EN ISO 9001:2015. The continuous quality monitoring in all phases of production is documented in about 20 system approvals from acceptance or classification societies such as Det Norske Veritas, Lloyd's Register Quality Assurance, Germanischer Lloyd, SELO (China), CCS (China), Korean Register, Russian Maritime Register of Shipping, EAC, Rostechndzor (Russia) and many more.

Sustainability

ARI-Armaturen operates a certified environmental management system according to DIN EN ISO 14001:2015 as well as an energy management system according to DIN EN ISO 50001:2018. Sustainability as well as a resource-saving handling have thus become a top priority for us.

Quality made by ARI®



ARI® PRODUCT DIVERSITY

Control



Control valves
STEVI® Pro
(BR 422/462, 470/471)



STEVI® Vario
(BR 448/449)



STEVI® Smart (BR 423/463,
425/426, 440/441, 450/451)



Control without auxiliary power
PREDU®/PREDEX®/
PRESO®/TEMPROL®

Isolation



Process Valves
ZETRIX®
High Performance-Valves
ZEDOX®



Butterfly valves
ZESA®/GESA®/ZIVA®



Bellows sealed valves
FABA® Plus, FABA® Supra I/C



Stop valves with gland seal
STOBU®

Safety



Safety valves (DIN)
SAFE



Safety valves
SAFE TCP



Safety valves (API 526)
REYCO®



Safety valves (ANSI)
REYCO® RL-Series

Steam trapping



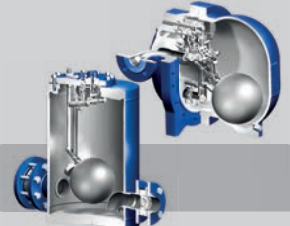
Steam traps CONA®
(mechanical ball float /
thermostatic bimetallic and
membrane / thermodynamic),
monitoring systems
CONA® Control



Manifolds
CODI® for collecting
and diverting purpose



**Steam traps with multi-
valving technology CONA®**
"All-in-One" (incl. stop valve,
inside strainer, back-flow
protection, drain valve)



Mechanical pump systems
CONLIFT®, CONA® P

Application technology



Pressure reducing station
PREsys®



Heat exchanger
ENCOSys®



Condensate return system
CORsys®



**Feedwater tank
with deaerator dome**

Profit from diversity made by ARI®.
Please don't hesitate to ask for more information!



Your valve made by ARI®
ari-armaturen.com