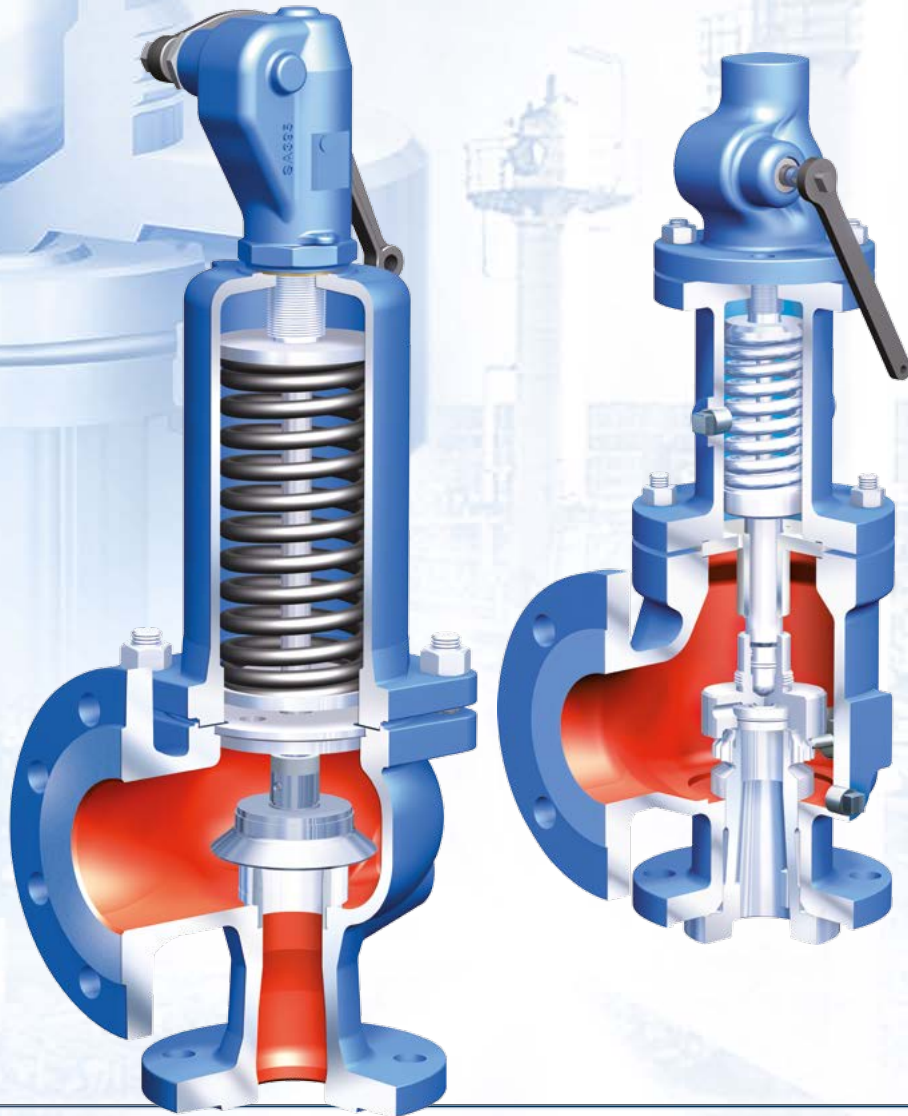


NEW! Now with zero leakage – in combination with “SHR” premium soft seal* (now up to +220°C)

SAFE/REYCO™

More than 35,000 variations –
in DIN EN and ASME



* Steam / Hot Water Resistance



SAFE
Full-lift safety
valve



SAFE P
For small capacities



SAFE TCP / TCS
For high pressures



ARI-REYCO™
R-Series
According to API 526



ARI-REYCO™
RL40/41-Series

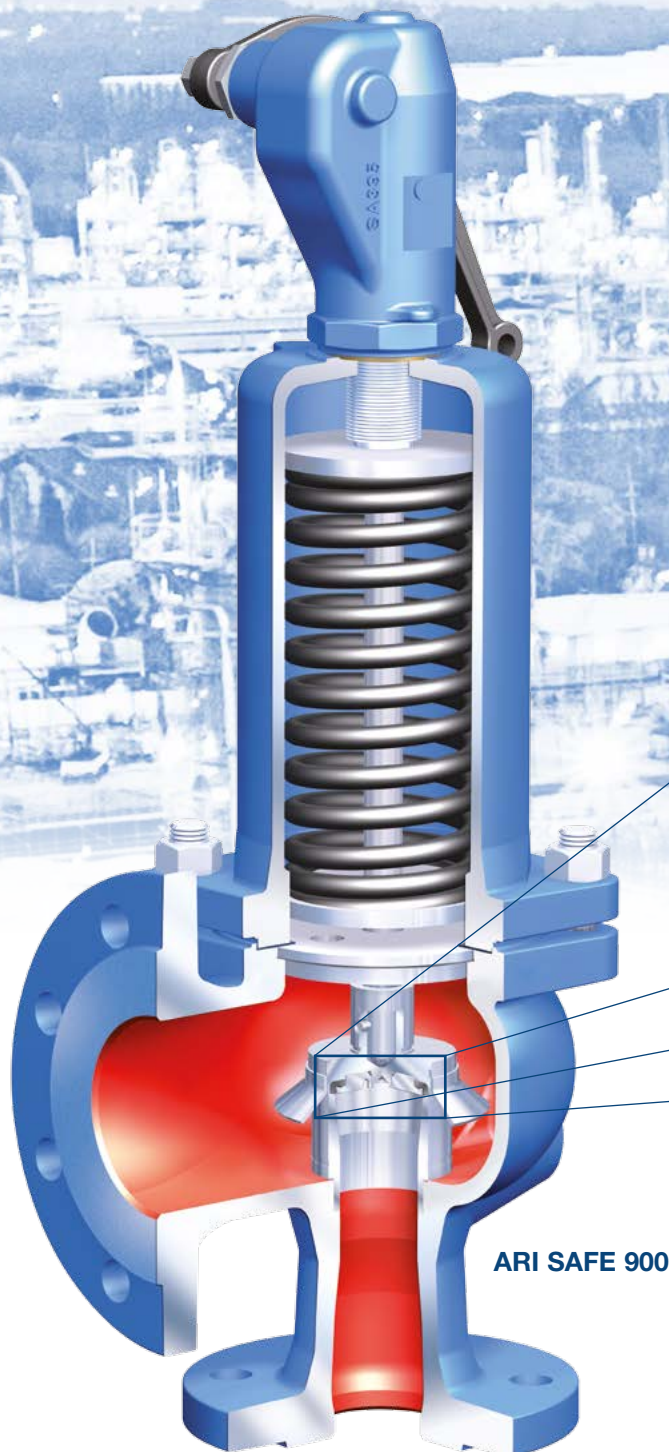


ARI-REYCO™
RL14-Series

Zero leakage – in combination with the innovative premium soft seal

SHR* Now up to +220°C for steam and hot water!

NEW
from ARI!



ARI SAFE 900



“SHR”* premium soft seal (now up to +220°C)

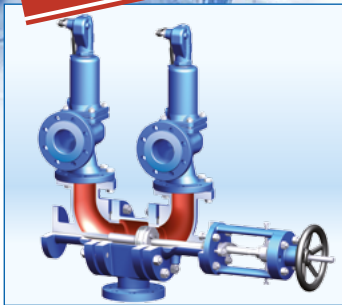
Steam / Hot Water Resistance (SHR):

- Suitable for SAFE 900 and SAFE SN (Semi Nozzle)
- Even better economy through extended lifetime (optimal leak-proof technology)
- Type test approved acc. to VdTÜV 100 (TÜV Nord)
- Ideal for steam and hot water generators acc. to DIN EN 12953 (TRD 421), e.g. shell boilers and district heating

* Steam / Hot Water Resistance



NEW
from ARI!



SAFE Combi-C: maintenance times reduced to a minimum with no need to shut down the plant.

NEW
from ARI!



SAFE Combi-R – zero leakage allows the use of certain types of media which tend to harden or become sticky when in contact with the atmosphere. Protects the safety valve against corrosion.

NEW
from ARI!



Simplified servicing: **removable lifting aid** makes relapping the plug much easier.

Further innovations by ARI:

SAFE Combi with changeover valves and / or rupture discs.

SAFE Combi-C / REYCO™ Combi-C: The 100% standby safety – even with critical media!

- Two-fold safety: the Combi-C SAFE / change-over valve always keeps a second SAFE in standby. In other words, you can test or replace a valve at any time **with no pressure or media loss** and without interrupting operation!
- Extra-safe thanks to the Combi-R SAFE / rupture disc combination: 100% tight (no media loss if the rupture disc bursts), stable operation (no uncontrolled plant shut-downs).

Your complete safety system! – NEW! SAFE / SAFE SN now with “SHR”*

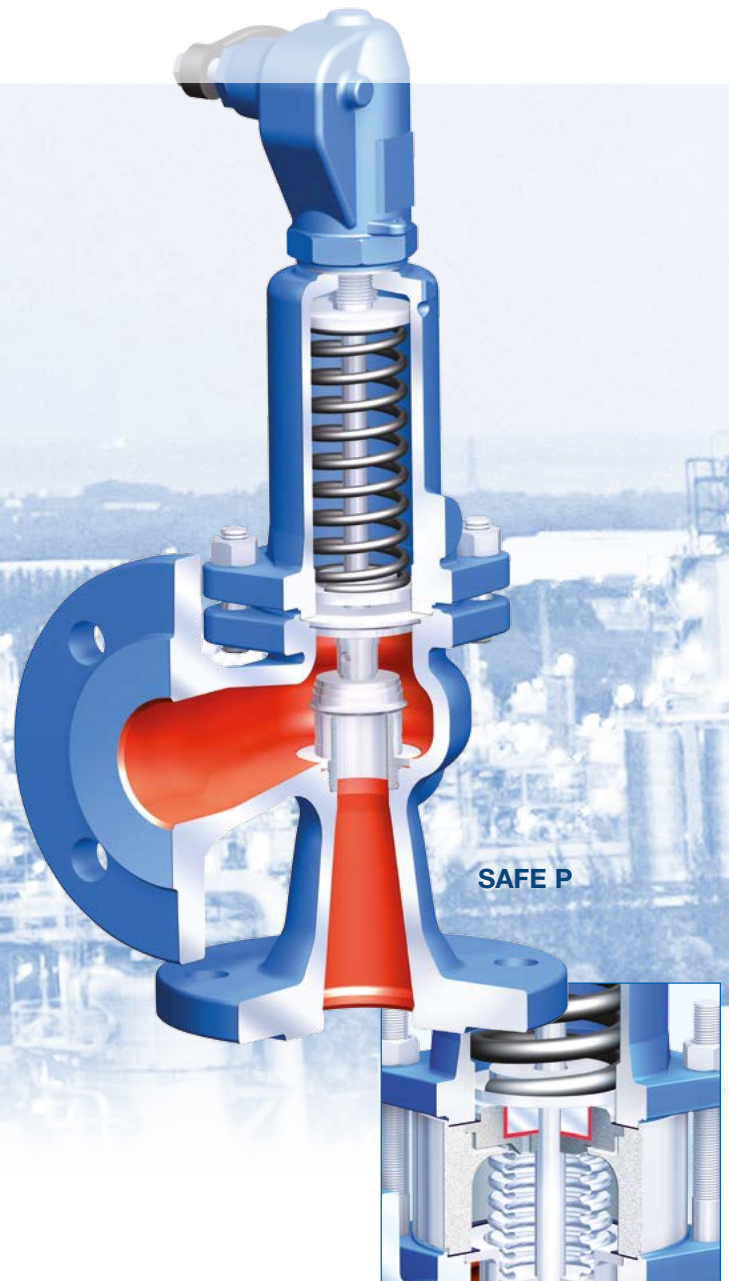
ARI-SAFE

CE Certified acc. to
EN ISO 4126-1
(PED 2014/68 EU)

ARI SAFE SN (Semi Nozzle)

UV Certified acc. to
ASME Code
with UV Stamp

SAFE now also
in DN 200 and DN 250



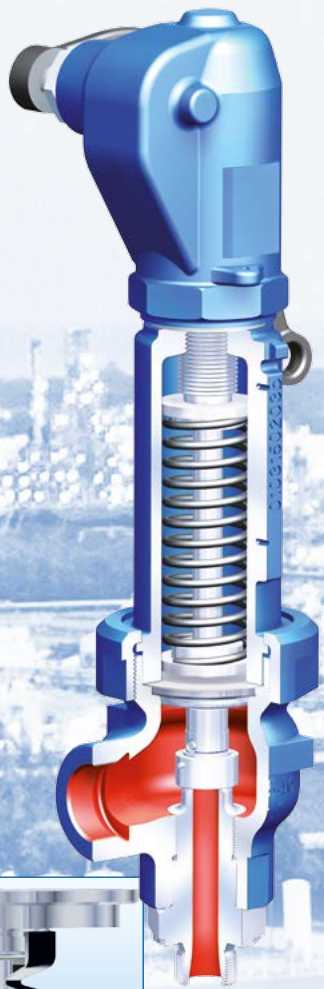
Two-fold safety: stainless steel bellows
with separate balanced piston as
standard (EN-standard)

Greater Efficiency:

- Advanced design features (raised seat in CrNi steel, better flow characteristics due to contouring of flow area as well as accurately guided plug and stem)
- Extended size range: now DN 15-250
- Simplified servicing with removable lifting aid
- Suitable for chemical applications: can be upgraded with rupture disc, stainless steel bellows seal and proximity switch

Greater Reliability:

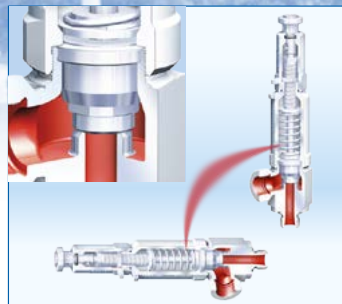
- Type test approved acc. to VdTÜV
- ASME certification from the U.S. National Board
- Balanced piston and protective rim as standard with stainless steel bellows
- Minimum emissions (stainless steel bellows seal available as an option for SAFE / SAFE-P / SAFE-TC)



SAFE-TC



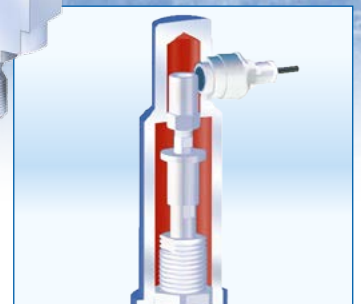
Optional EPDM bellows seal protects the stem from corrosion; soft sealing plug ensures reliable tight sealing; standard on SAFE heating valves SAFE Fig. 903



SAFE TCS thread connection with special plug guide: also suitable for horizontal installation



SAFE-TCP/TCS



Integrated sensorics, proximity switch; used to return the feedback signal to the control room

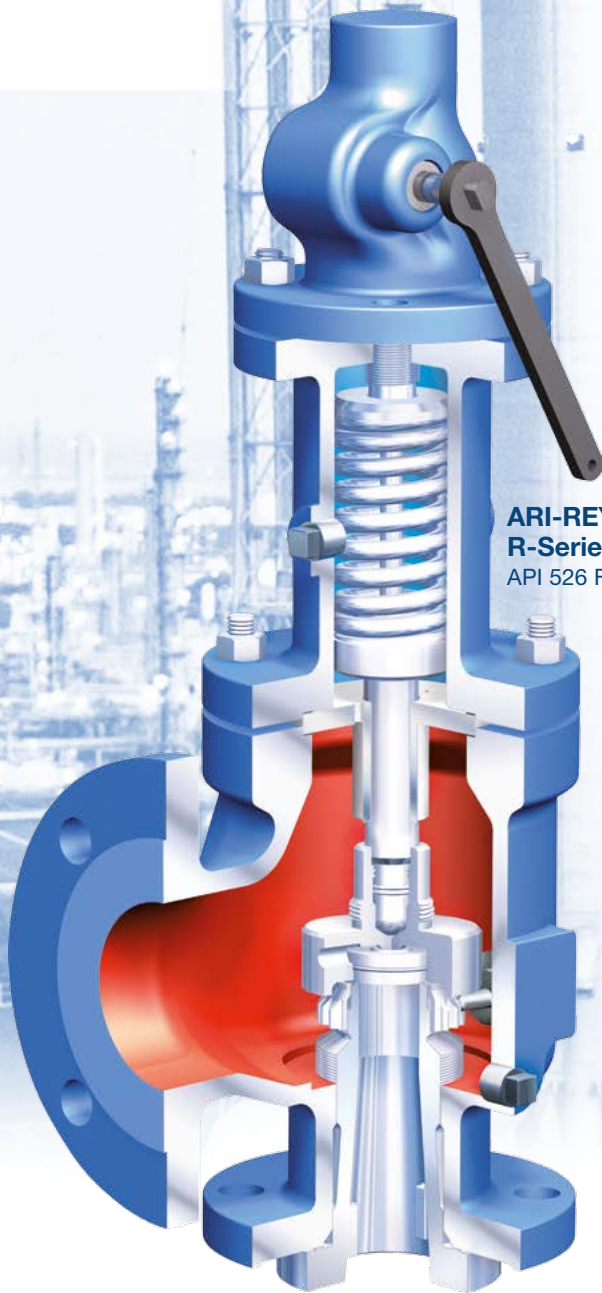
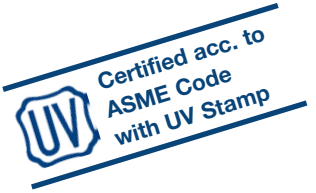
Higher Profitability:

- Cost savings (extended life through hardened plug)
Simplified servicing through removable lifting aid at the plug
- Long lifetime (springs cathodic dip-painted)
- Straightforward product range: economical spring selection
(large, uniform set pressure ranges)

- More efficient: ARI-myValve® sizing software ensures correct / economical valve selection
- New SAFE-Check service for testing installed safety valves
(patent-pending test device that works without increasing the boiler pressure or interrupting operation of the plant; absolutely no media loss)

Complete range acc. to API 526

ARI-REYCO™



ARI-REYCO™
R-Series
API 526 Full Nozzle

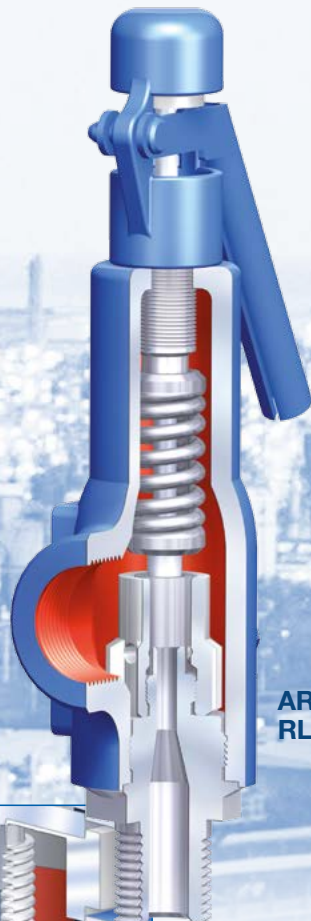


ARI-REYCO™
RL40/41-Series

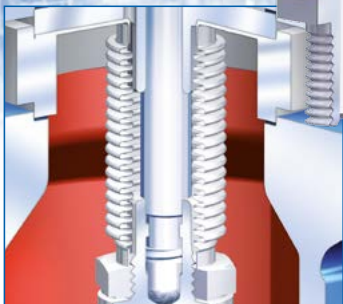
Nozzle guided close to the seat – for a more accurate response. Flip-over plug – double sided sealing system assures simple handling, easy servicing and a longer service life

Accurate response, flip-over plug, optimal plug guiding – up to 6000 psi (414 bar)!

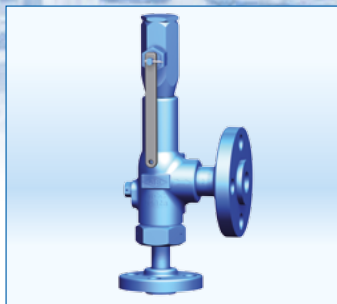
- Powerful: suitable for oil and gas processing (ARI-REYCO™)
- Flexible: optionally available in Monel, Duplex, Super Duplex or Hastelloy
- Simple handling: easy to service due to the flip-over plug (double sided sealing system)
- Durable: increased service life due to the corrosion-resistant bellows seals made of standard Inconel 625; the bellows also provides backpressure compensation as standard
- Reliable and durable: precise repeatability of the set pressure and increased service life due to the accurately guided nozzle (nozzle thread close to the seat)
- Reliable: high level of reliability due to the optimal guiding of the plug on the seat (two-piece stem)
- Flexible: multifunctional conversion in a few simple steps thanks to the modular system (standardised trim)
- Identical trim irrespective of the medium (steam, gases, liquids)



**ARI-REYCO™
RL14-Series**



Bellows available as a retrofit option. Bellows seals made of standard Inconel 625



More options with different flanges up to ANSI 2500. Also as butt-weld end and socket weld end available.

- Flexible / simple handling: broad array of applications due to the standardised O-ring soft sealing plug
- Simple handling: identical nozzle ring for each orifice size (code letters)
- ARI-REYCO™: certified safety due to EC type examination (module B), quality assurance system (module D) and declaration of conformity acc. to PED 2014/68/EU (97/23/EC)

Technical information at a glance

Type EN and ANSI:

Direct-acting, spring-loaded

Options:

Closed bonnet, open bonnet, with / without lifting device (gas-tight)

Features:

EPDM bellows seal, stainless steel bellows seal, soft sealing plug, rupture disc

Applications:

For relieving vapour, gas or liquid pressure from pressure vessels and steam boilers as well as for steam

SAFE now also
in DN 200 and DN 250

EN standard:

Nominal diameter: DN 15-250
Nominal pressure: PN 16-100
Set pressure: 0,2-100 bar

EN materials / temperatures

EN-JL1040	-10°C to +300°C
EN-JS1049	-10°C to +350°C
1.0619+N	-60°C to +450°C
1.4408	-60°C to +400°C
1.4581	-60°C to +400°C

Requirements:

DIN EN ISO 4126, VdTÜV leaflet 100, TRD 421 / 721, AD2000-A2

ANSI standard

NPS 1/2"-8"
Class ANSI 150-2500
Set pressure: 5-6000 psi (414 bar)

ASME materials / temperatures:

SA216WCC	-20°F to +800°F (-29°C to +427°C)
SA217WC6	-20°F to +1000°F (-29°C to +538°C)
SA351CF8M	-400°F to +1000°F (-240°C to +538°C)

Special materials

Monel, Duplex, Super Duplex and Hastelloy on request

Requirements:

ASME Code Section VIII Div. 1, API526

ARI product diversity

Control



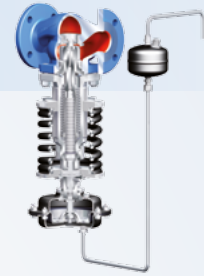
Control valve
STEVI® Smart
(Series 423/463, 425/426,
440/441, 450/451)



STEVI® Vario
(Series 448/449)



STEVI® Pro
(Series 422/462, 470/471, 472)



Control without auxiliary power
PREDU® / PREDEX® / PRESO® / TEMPTROL®

Isolation



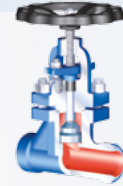
Process valve
ZETRIX®



Butterfly valve
ZIVA®

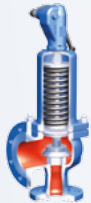


Bellows sealed valve
FABA® Plus, FABA® Supra I/C



Stop valves with gland seal
STOBU®

Safety



Safety valves (DIN)
SAFE



Safety valves
SAFE TCP

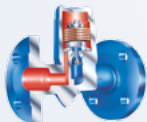


Safety valves (API 526)
ARI-REYCO™

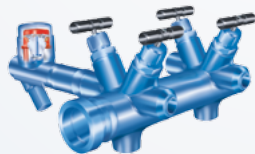


Safety valves (ANSI)
ARI-REYCO™ RL-series

Steam trapping



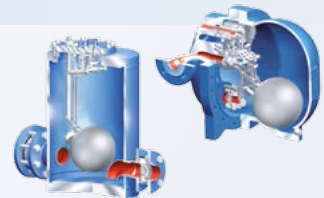
Steam traps CONA® (mechanical ball float / thermostatic bimetallic and membrane / thermodynamic), **monitoring systems**
CONA® Control



Manifolds
CODI® for collecting and diverting purpose



Steam trap with multi-valving technology CONA® "All-in-One" (incl. stop valve, inside strainer, back-flow protection, drain valve)



Mechanical pump systems
CONLIFT®, CONA® P

Profit from diversity made by ARI.
Please don't hesitate to ask for more information!



www.ari-armaturen.com